



R8 Tablet Vehicle Lite Dock

Built with a steel and composite design for reduced overall weight and increased durability, the R8 vehicle lite dock is designed to dock the R8 tablet easily and securely. It includes a key lock for increased security and offers several ports for ease-of-use. Optional available with triple RF antenna pass-through connections, it provides enhanced wireless connectivity while on the go or in remote locations.

- Space saving and ergonomic design
- Small size for cabin comfort
- MIL-STD 810H certified
- Sturdy steel and composite construction
- VESA 75mm mounting pattern for easy installation

Specifications

DURABILITY

- MIL-STD 810H certified (Shock, Vibration)
- Environmental testing: High/Low temperature - Storage/Operational and Humidity

ENVIRONMENT

- Temperature
Operation: 0°C ~ 50°C / 32°F ~ 122°F
Storage: -20°C ~ 60°C / -4°F ~ 140°F
- Humidity : up to 95%

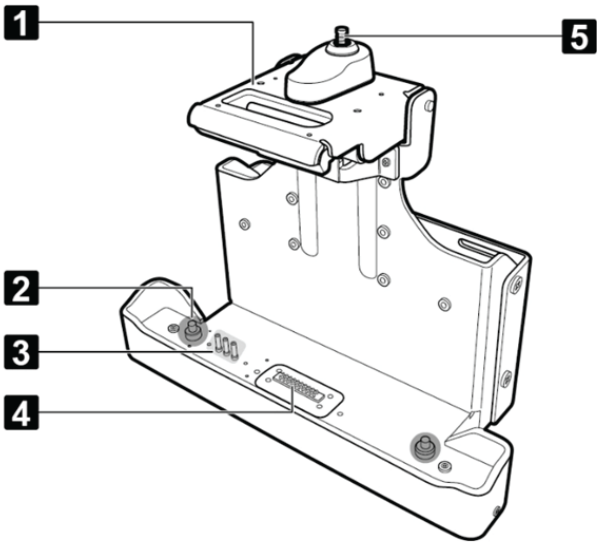
I/O INTERFACES

- USB 3.0 (type A) x 2
- RJ-45 (10/100/1000 Ethernet) x 1
- Serial port (RS-232, D-sub) x 1
- Optional RF antenna pass-through for GPS, WWAN, and WLAN
- DC-in jack (19.5 VDC Input) x 1

DIMENSION & WEIGHT

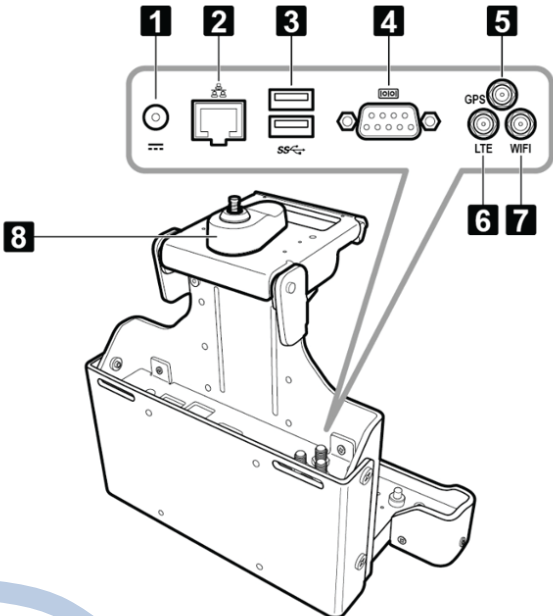
- 243.5 mm (W) x 106.8 mm (D) x 201 mm (H)
9.59" (W) x 4.2" (D) x 7.91" (H)
- approx. 1.6 kg / 3.55 lbs

Front



No	Item
1	Top clamp
2	Alignment pin (x2)
3	Triple RF pass-through connectors (optional)
4	Docking connector
5	Lock (with key slot)

Rear



No	Item
1	DC-in jack
2	LAN (RJ-45) port
3	USB3.0 port (x2)
4	Serial port (RS-232)
5	GPS antenna port (optional)
6	LTE antenna port (optional)
7	WIFI antenna port (optional)
8	Top latch